

CONTINUOUS DRUM FILTER

Filtering the vegetable oil is essential for good final product quality and good production economy. The Continuous Drum Filter filters every drop of oil every 30–45 seconds.

The Continuous Drum Filter filters the oil through a perforated stainless steel screen. The screen forms a drum; the particles are collected on the outside of the slowly rotating drum. A set of special design stainless steel scrapers transfers the debris and particles to the waste auger.

The design of the Continuous Drum Filter ensures the removal of both floating particles and particles that are collected on the filter screen. The opening of the filter screen can be made from 800 microns. To reduce the overall oil volume in the filter, a displacement body is mounted inside the filter.

DRUM FILTER FROM 500 MICRONS REMOVES ALL PARTICLES



AUGER FOR WASTE REMOVAL



LOW OIL VOLUME



SCRAPER FOR DEBRIS AND PARTICLE REMOVAL



CONTINUOUS DRUM FILTER ADVANTAGES

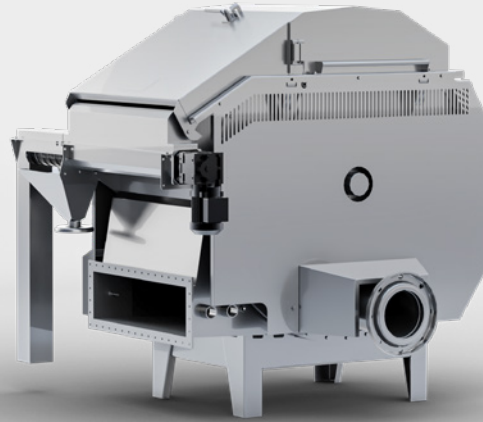
Scraper for debris and particle removal

Drum filter from 500 microns removes all particles

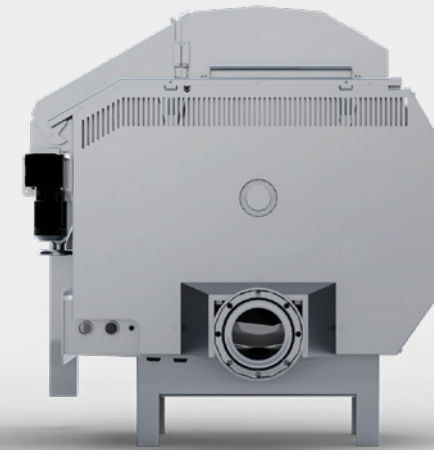
Low oil volume

Auger for waste remover

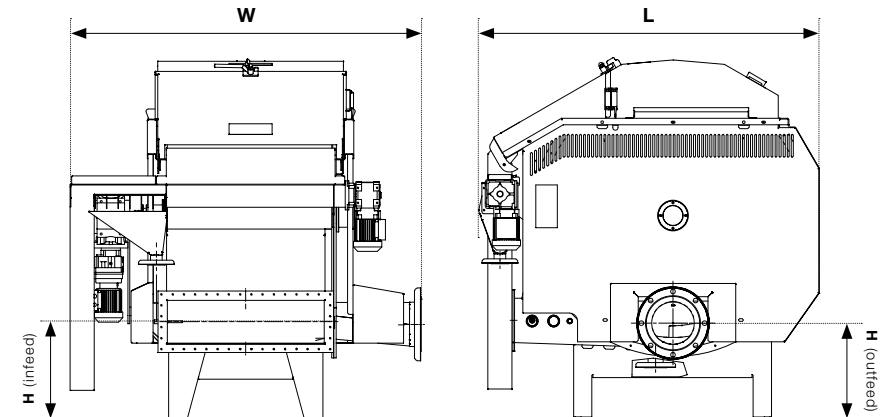
FRONT/SIDE



SIDE



CONTINUOUS DRUM FILTER	CAPACITY (l/min)	L (mm)	W (mm)	INFEED		OUTFEED	
				Ø (mm)	H (mm)	NT10 (mm)	H (mm)
CFF10020	1000	1460	900	80	700	100	600
CFF10030	1500	1460	1000	100	700	125	600
CFF10035	2000	1460	1050	100	700	150	600
CFF12040	3000	1760	1170	400x150	900	200	650
CFF12050	4000	1760	1270	500x180	900	200	650
CFF12065	5000	1760	1420	650x180	900	250	650
CFF12080	6000	1760	1570	800x200	900	250	650
CFF12090	8000	1760	1770	900x200	900	250	650
CFF120100	9500	1760	1670	1000x200	900	250	650



Rosenqvists Food Technologies • Väverigatan 2
SE 291 54 Kristianstad • Sweden • T: +46 44 590 41 40

www.rosenqvists.com

